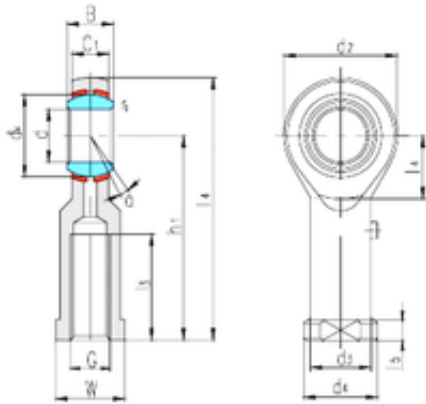




Seohan-NTN Bearing CO.,LTD.

LS SIZP15S plain bearings



SIZP15S Bearing 2D drawings and 3D CAD models

Bearing No. SIZP15S

Bore Diameter	15,88 mm
d	15,88 mm
B	19,05 mm
d2	38,1 mm
d3	21,84 mm
d4	25,4 mm
dk	28,58 mm
h1	63,5 mm
l3 min.	38,1 mm
l4 max.	82,55 mm
l5	7,92 mm
l7 min.	18,2 mm
r min.	0,6 mm
C1	14,27 mm
W	22,23 mm
Thread (G) - 5/8-18	5/818
Angle	11 °
Weight	0,19 Kg
Basic dynamic load rating (C)	20 kN