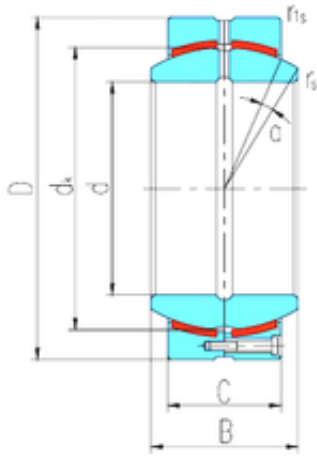




Seohan-NTN Bearing CO.,LTD.



100 mm x 150 mm x 71 mm LS GEH100HCS
plain bearings

Bearing No. GEH100HCS

Size	100x150x71 mm
Bore Diameter	100 mm
Outer Diameter	150 mm
Width	71 mm
d	100 mm
D	150 mm
B	71 mm
C	67 mm
dk	135 mm
r min.	1 mm
r1 min.	1 mm
Angle	2 °
Weight	5,07 Kg
Basic dynamic load rating (C)	900 kN

GEH100HCS Bearing 2D drawings and 3D CAD models